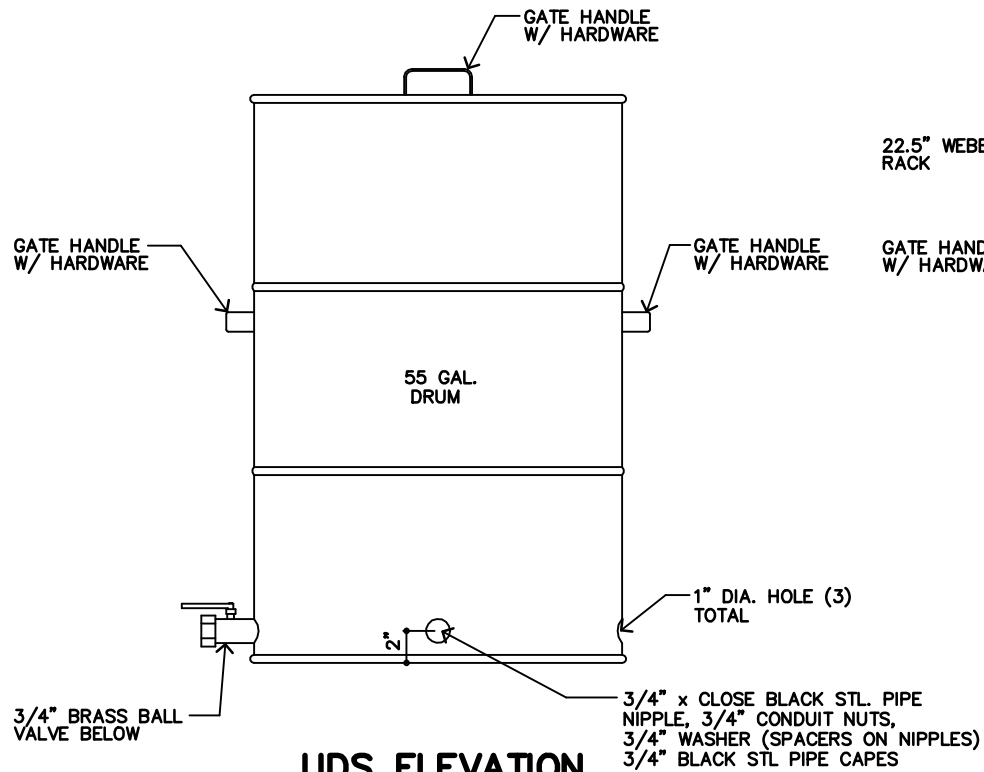
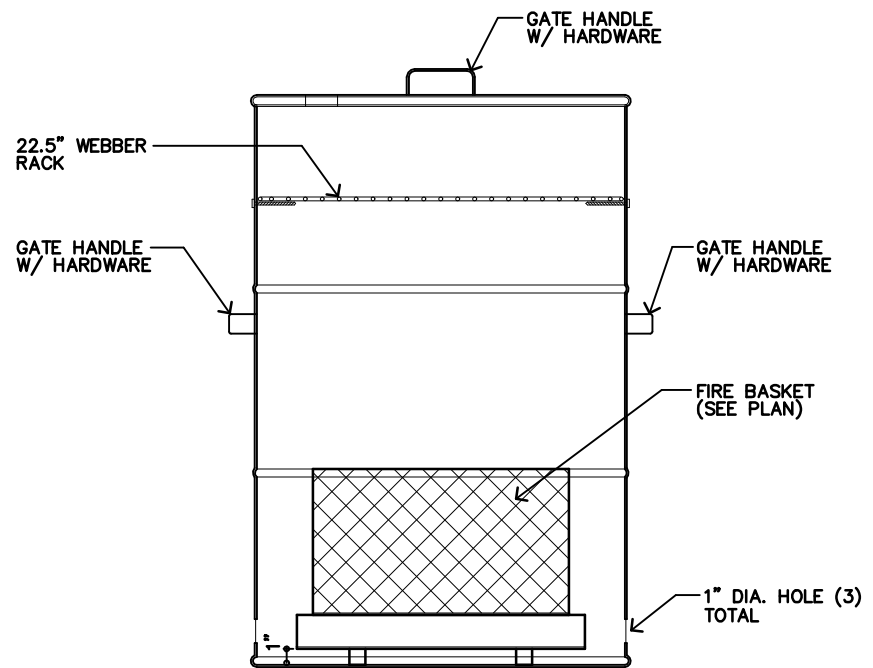


UDS Supply List

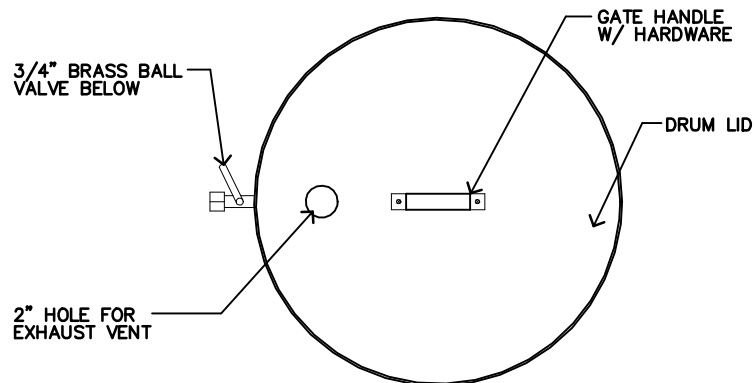
1	55 steel gallon drum unlined
1	3/4" brass ball valve
3	3/4" x close black steel pipe nipples
2	3/4" black steel pipe caps
6	3/4" conduit nuts
4	1 1/2" x 1/4" bolts, 1/4" nuts, 1/4" lock washers (grill mount)
3	gate handles
6	#12-24 x 1/2" bolts, 1/4" washers, 1/4" nuts (handle hardware)
1	22.5" weber grate
1	fire basket
7	3/4" washers (spacers on nipples)
	<i>*items came from Home Depot and Tractor Supply</i>



UDS ELEVATION



UDS SECTION



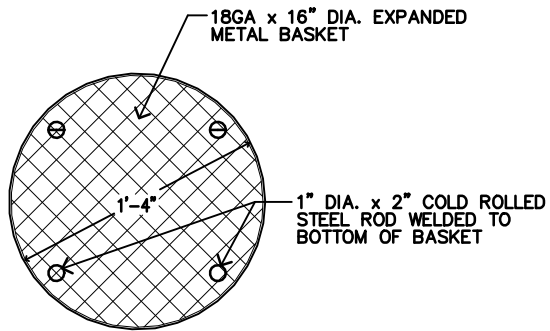
UDS PLAN

PARTS LIST

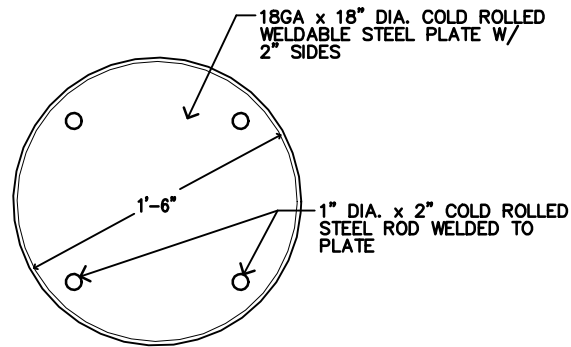
UDS W/ FIRE BASKET & ASH PAN

04/12/2011

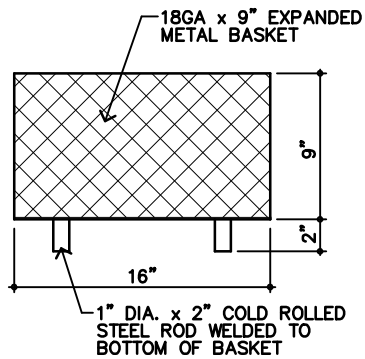
FOR: MALCOM REED - KILLER HOGS BBQ



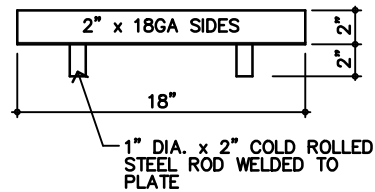
BASKET PLAN



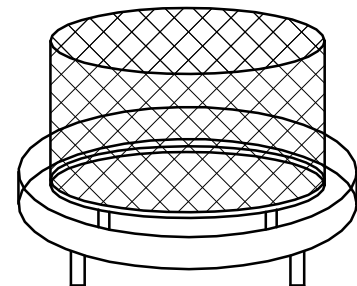
CATCH PAN PLAN



BASKET ELEVATION



CATCH PAN ELEVATION



ISO

FIRE BASKET W/ ASH PAN

04/12/2011

FOR: MALCOM REED - KILLER HOGS BBQ